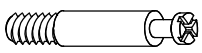



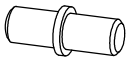
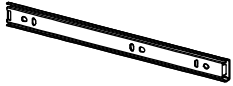










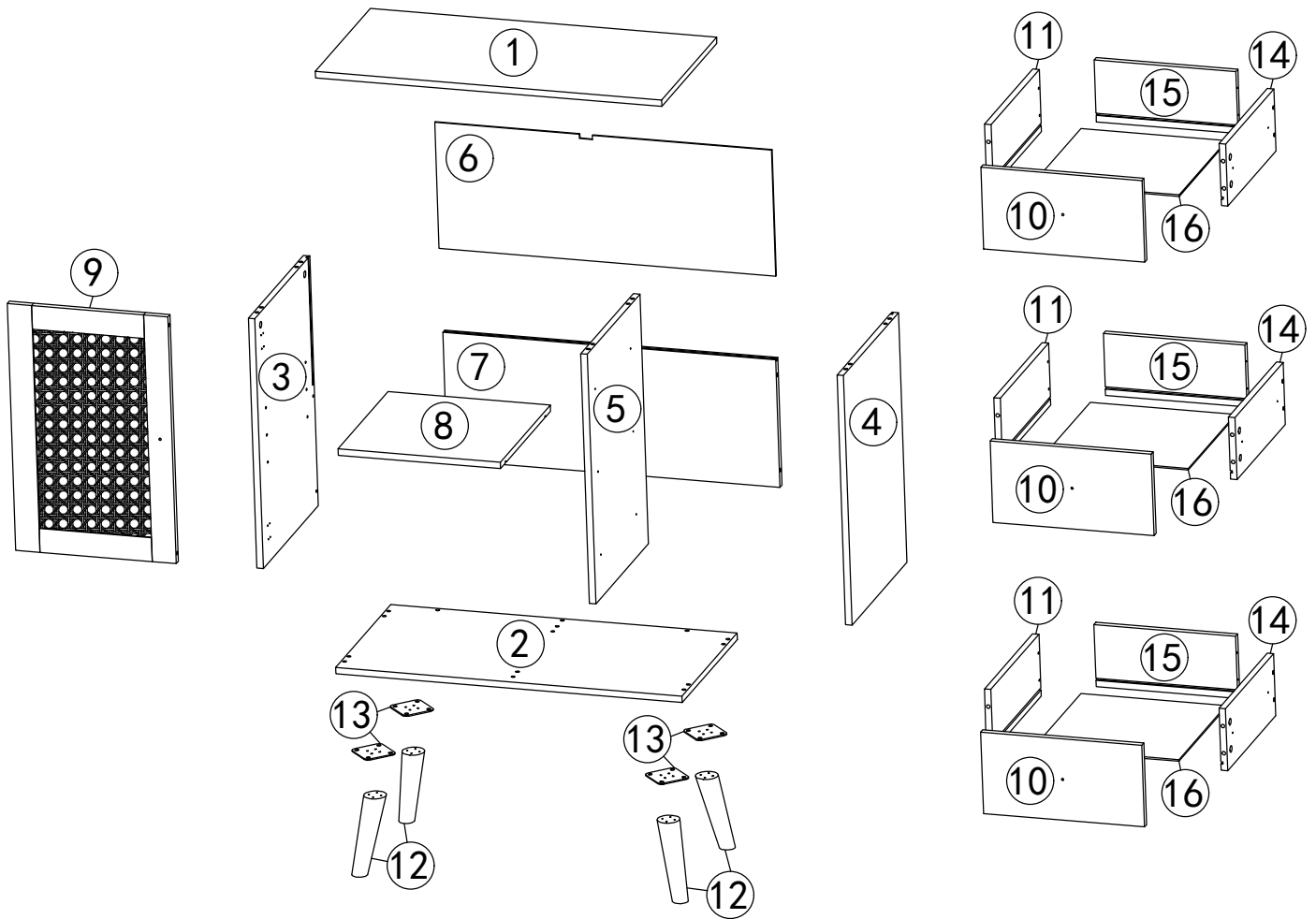
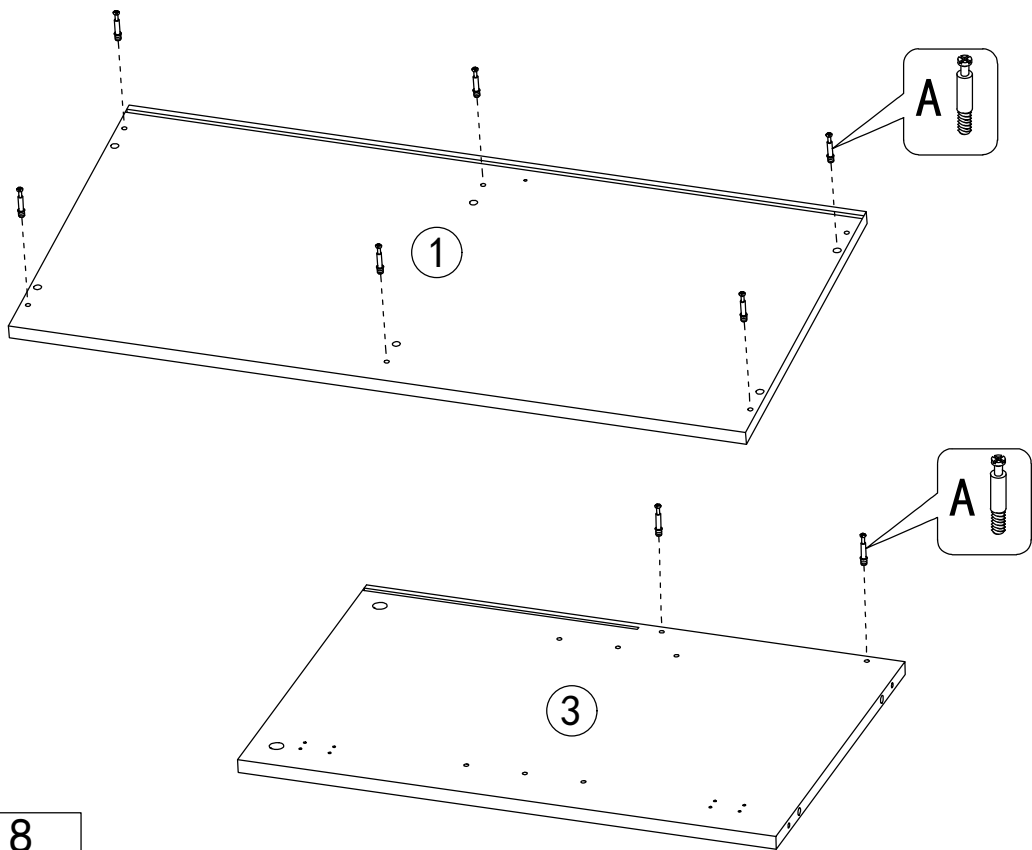


<p>A x 22</p>  <p>$\phi 6 \times 35\text{mm}$</p>	<p>B x 22</p>  <p>$\phi 15 \times 12\text{mm}$</p>	<p>C x 12</p>  <p>$\phi 8 \times 30\text{mm}$</p>	<p>D x 39</p>  <p>$3.5 \times 14\text{mm}$</p>
<p>E x 4</p> 	<p>F x 6</p> 	<p>G x 29</p>  <p>$4 \times 35\text{mm}$</p>	<p>H x 16</p>  <p>$M6 \times 12\text{mm}$</p>
<p>I x 9</p>  <p>$\phi 7 \times 40\text{mm}$</p>	<p>J x 4</p> 	<p>K x 4</p>  <p>$M4 \times 18\text{mm}$</p>	<p>L x 1</p>  <p>M4</p>
<p>M x 2</p> 	<p>N x 1</p> 	<p>O x 1</p>  <p>$\phi 6 \times 30\text{mm}$</p>	<p>P x 1</p> 

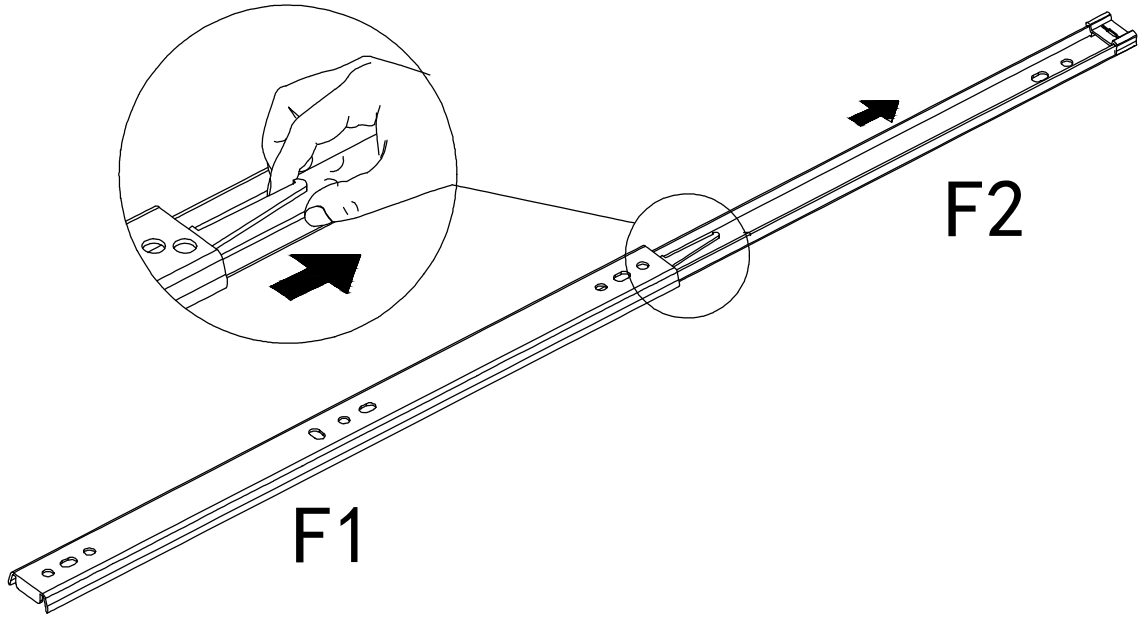


1



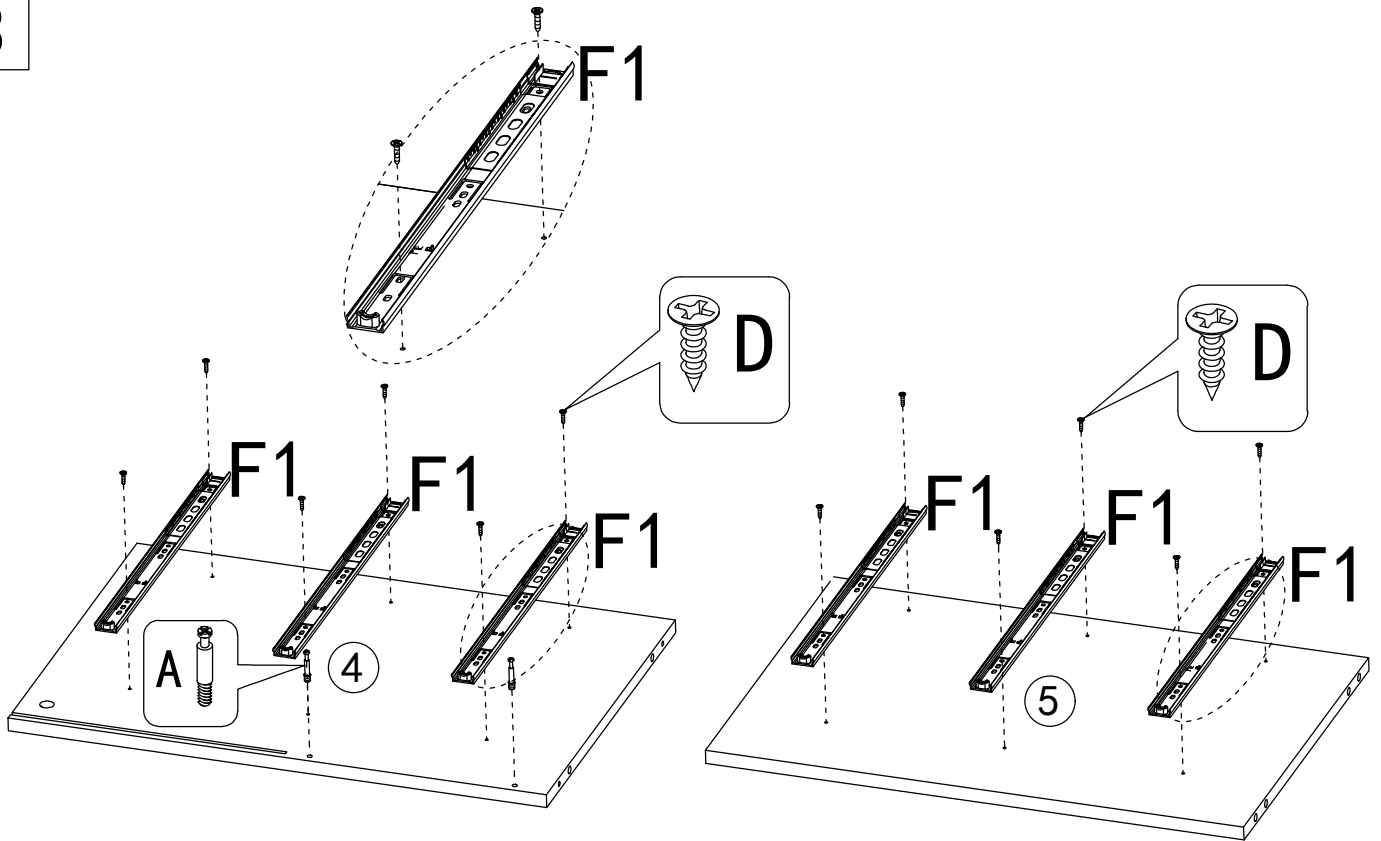
A	x 8
$\phi 6 \times 35\text{mm}$	

2



F	x 6

3

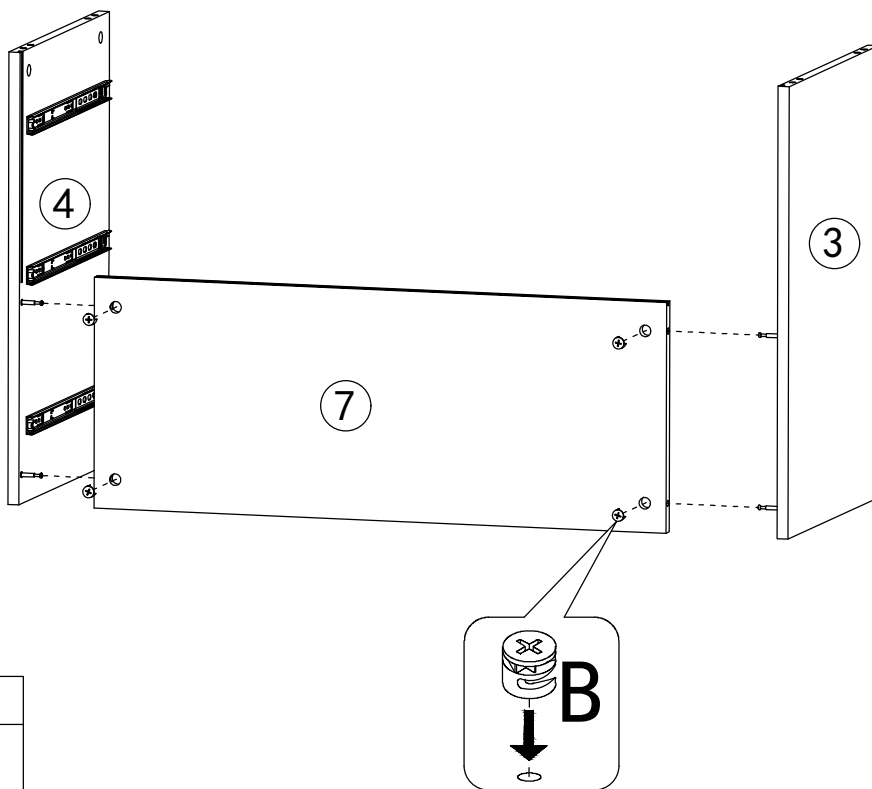


A	x 2
$\phi 6 \times 35\text{mm}$	

D	x 12
$3.5 \times 14\text{mm}$	

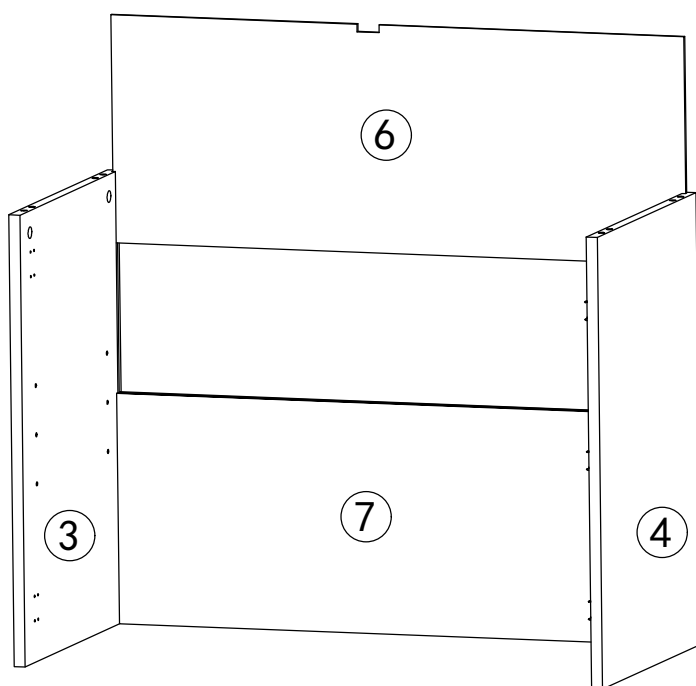
F	x 6

4

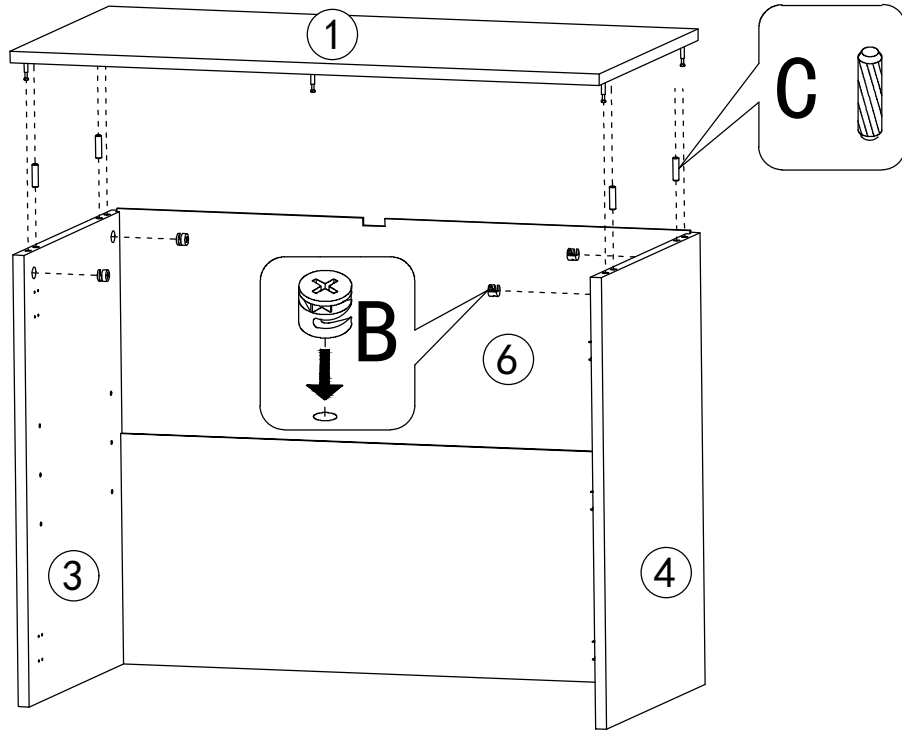



B	x 4
ø15 x 12mm	

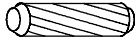
5



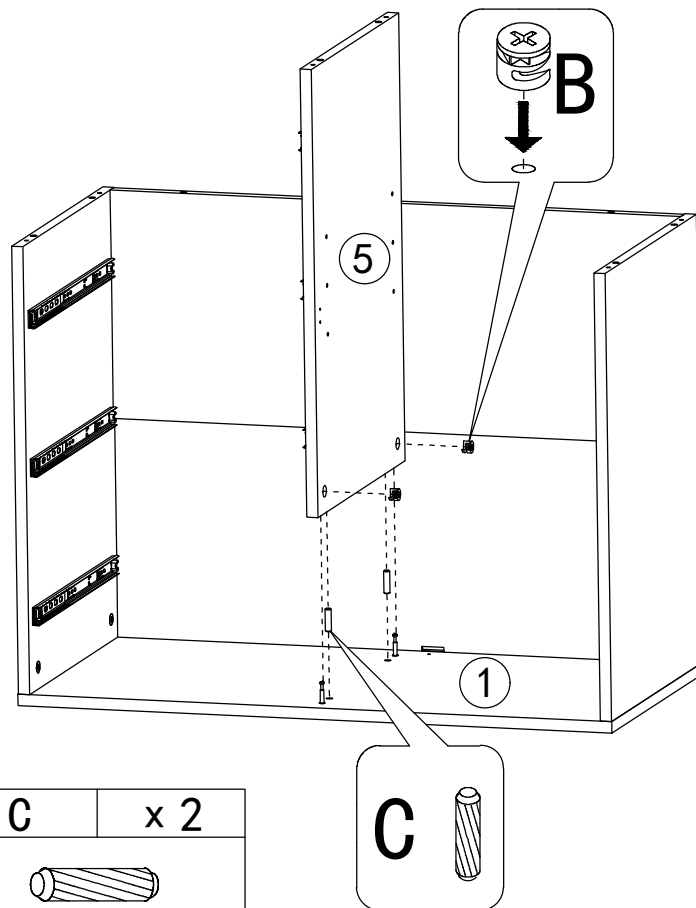
6




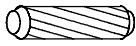
B	x 4
	
ø15 x 12mm	

C	x 4
	
ø8 x 30mm	

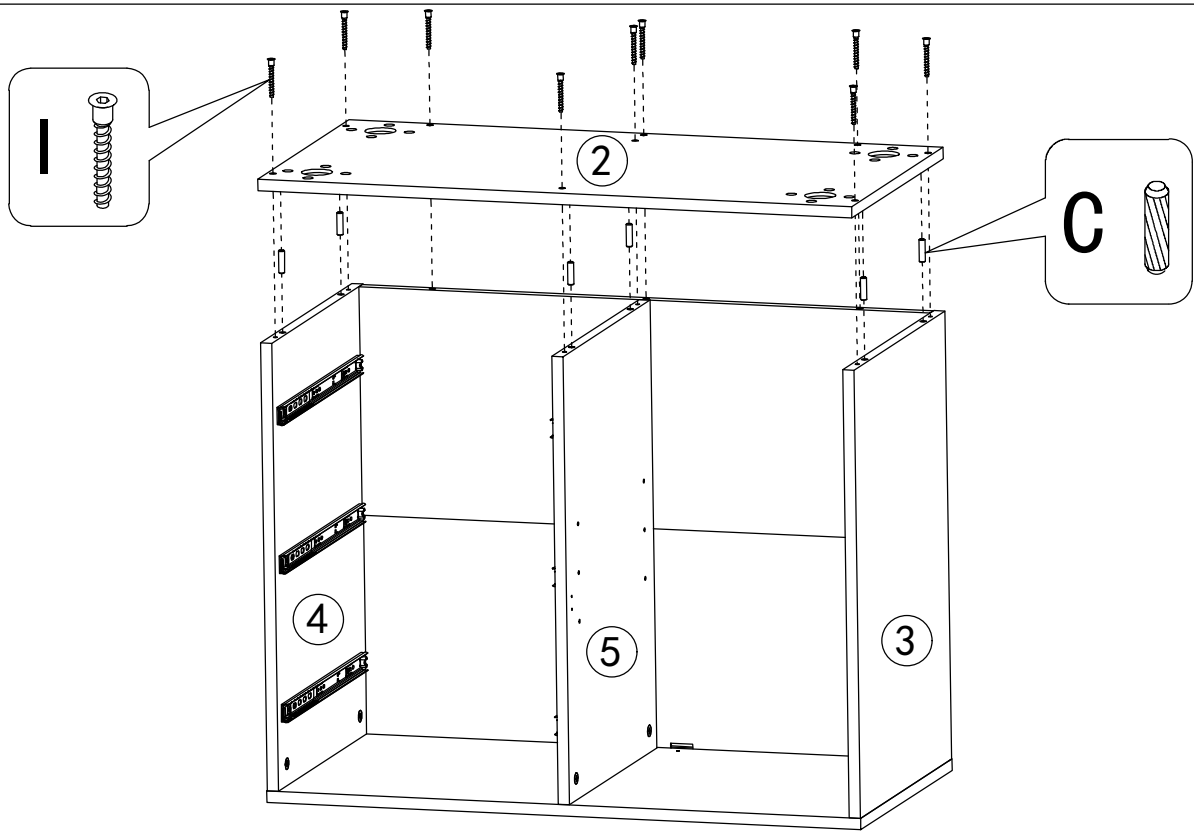
7



B	x 2
	
ø15 x 12mm	

C	x 2
	
ø8 x 30mm	

8

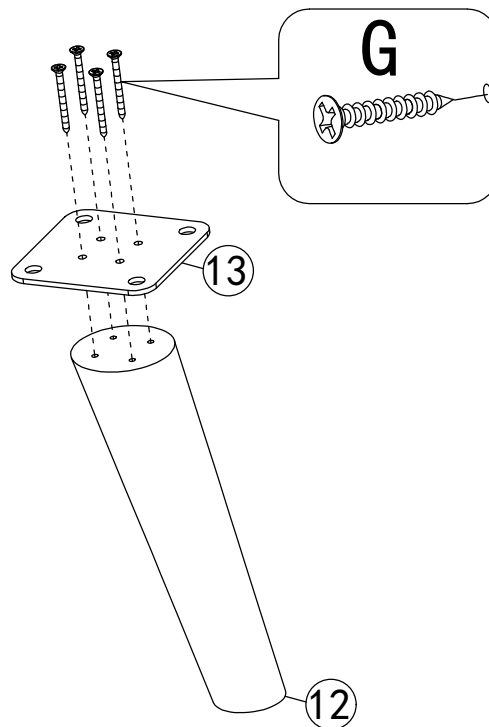


C	x 6
ø8 x 30mm	

I	x 9
ø7 x 40mm	

L	x 1
M4	

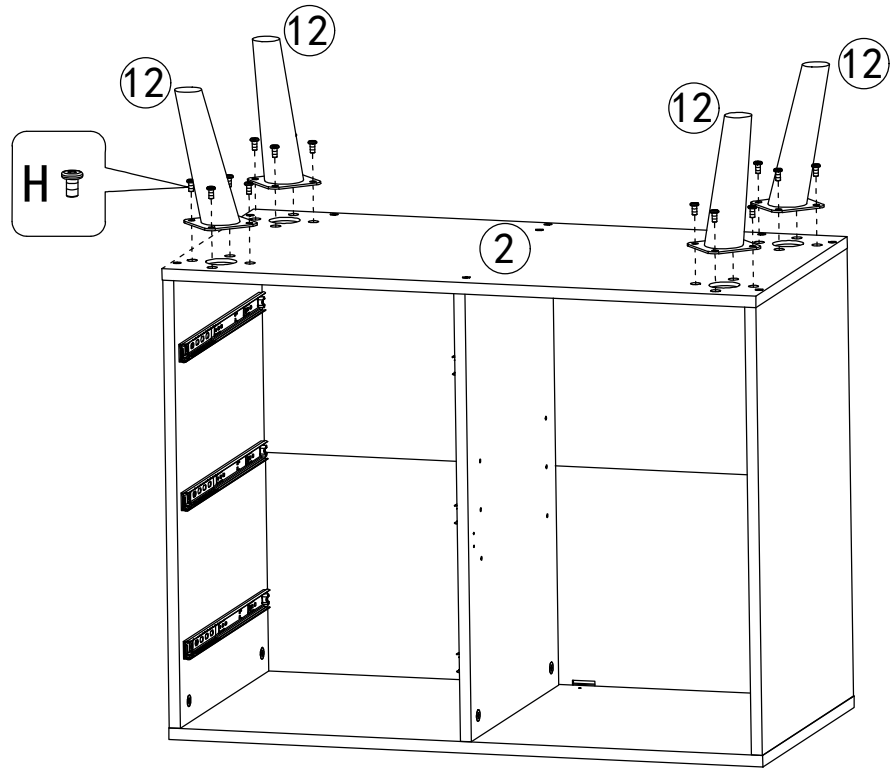
9



x4

G	x 16
4 x 35mm	

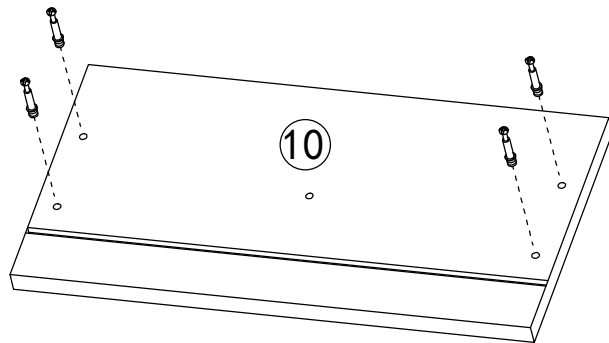
10



H	x 16
M6 x 12mm	

L	x 1
M4	

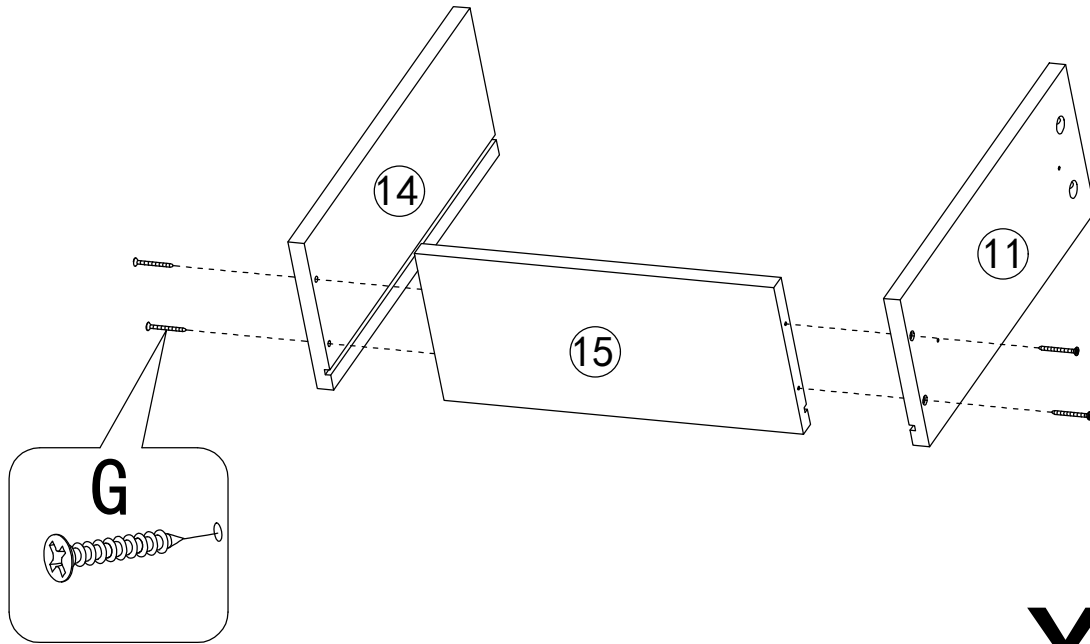
11



x3

A	x 12
φ6 x 35mm	

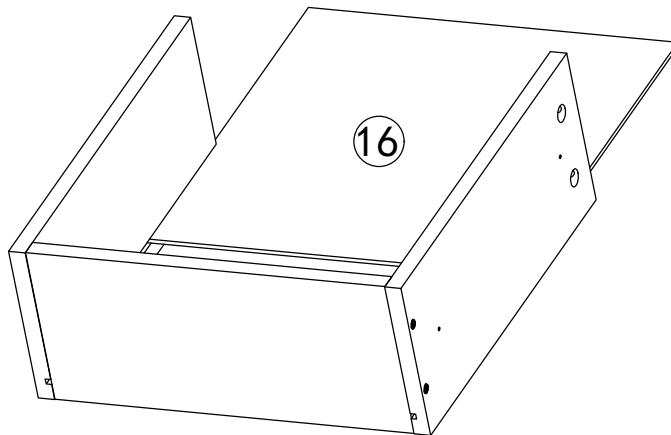
12



x3

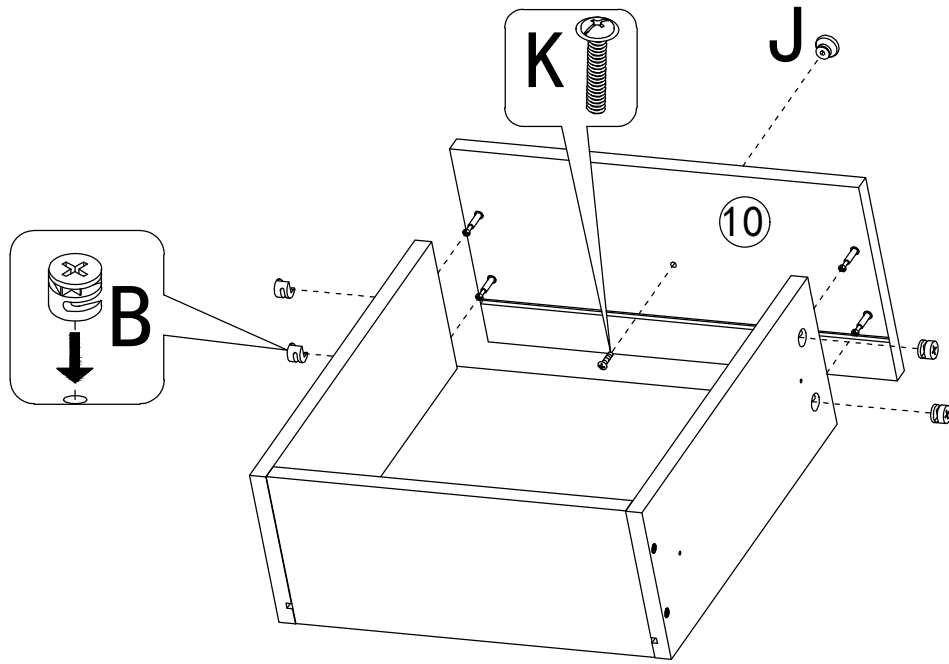
G	x 12
4 x 35mm	

13





x3


14



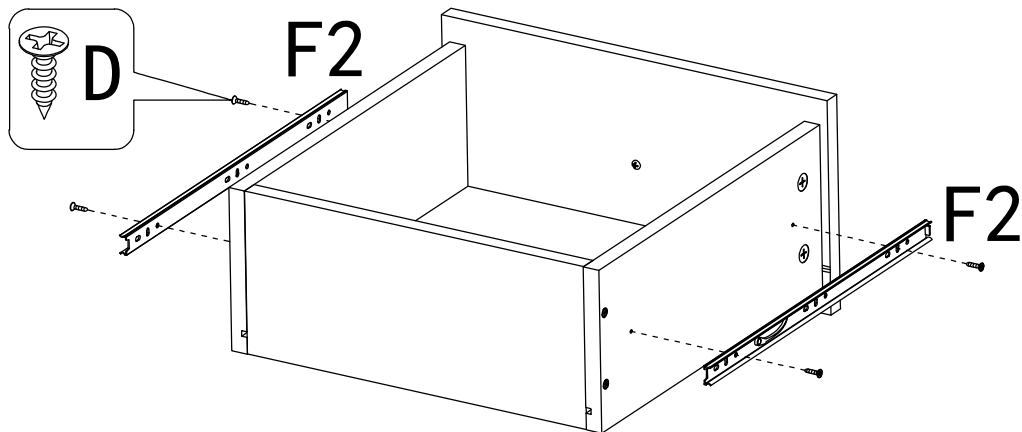
x3

B	x 12
	
$\phi 15 \times 12\text{mm}$	


J	x 3
	


K	x 3
	
$M4 \times 18\text{mm}$	

15

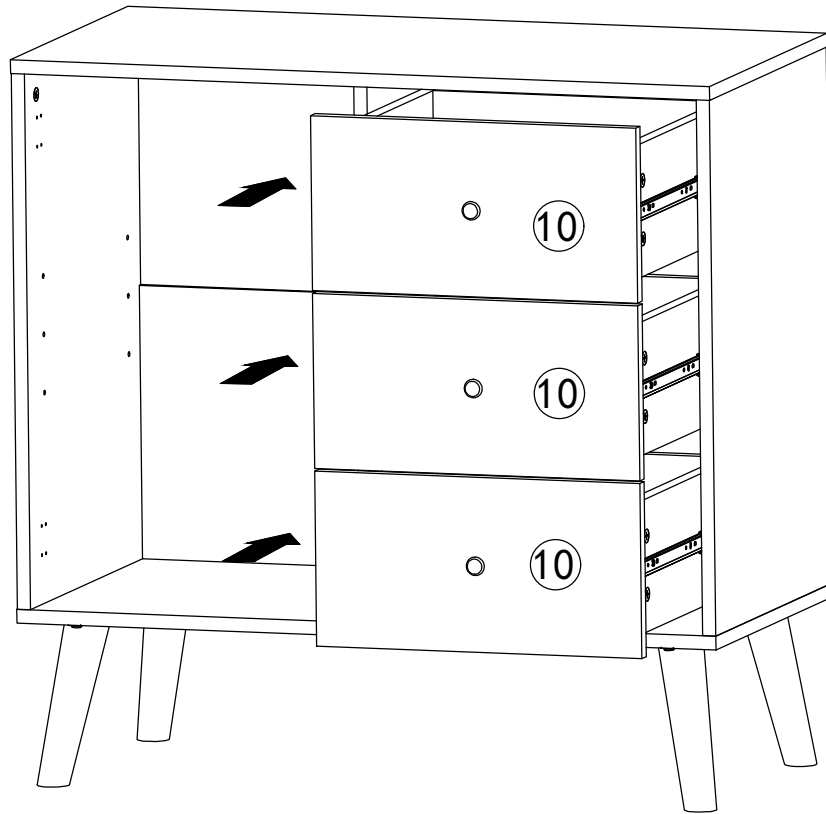


x3

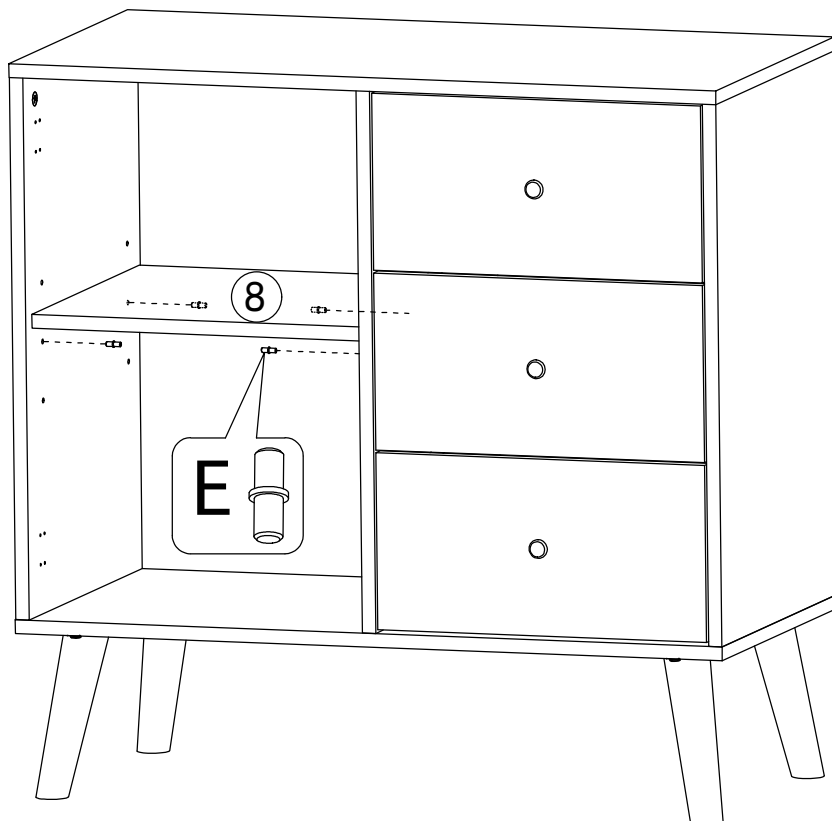
D	x 12
	
$3.5 \times 14\text{mm}$	

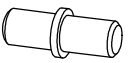
F	x 6
	

16

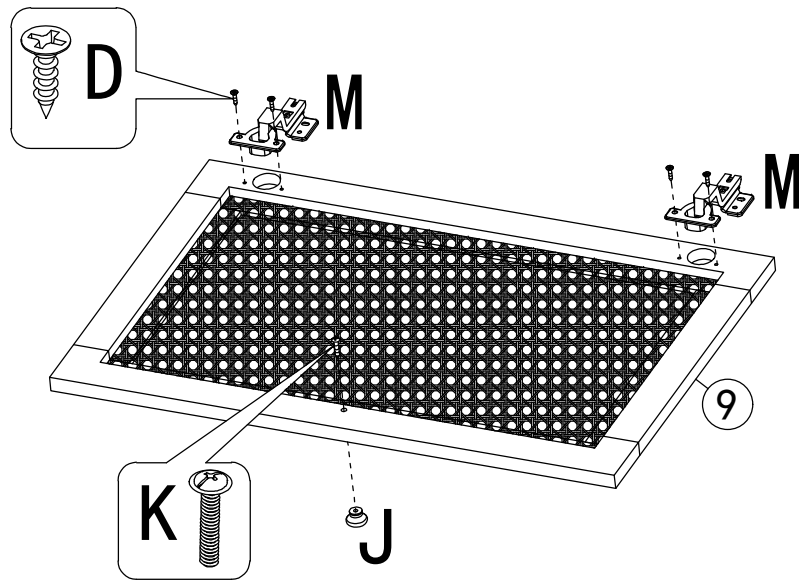



17





E	x 4
	


18



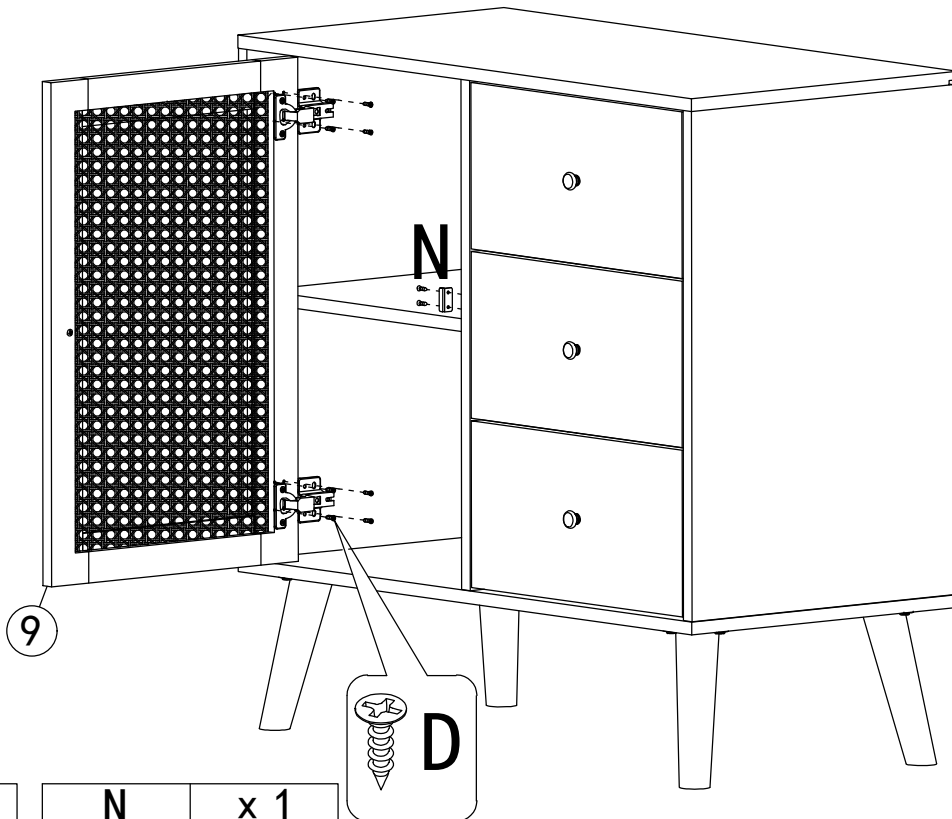
D	x 4
	
3.5 x 14mm	


J	x 1
	


K	x 1
	
M4 x 18mm	

M	x 2
	

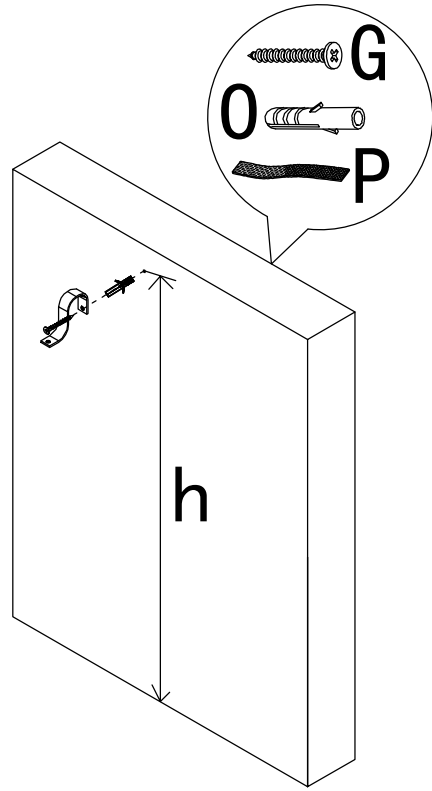
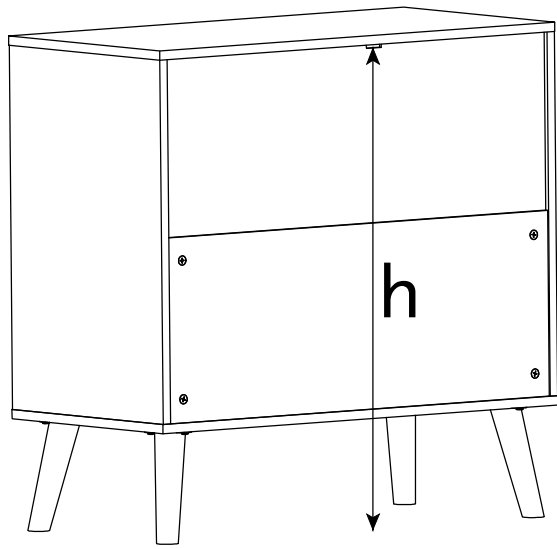
19





D	x 10
	
3.5 x 14mm	


N	x 1
	

20

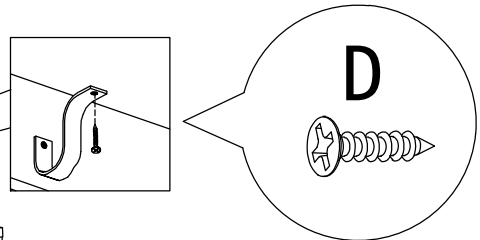
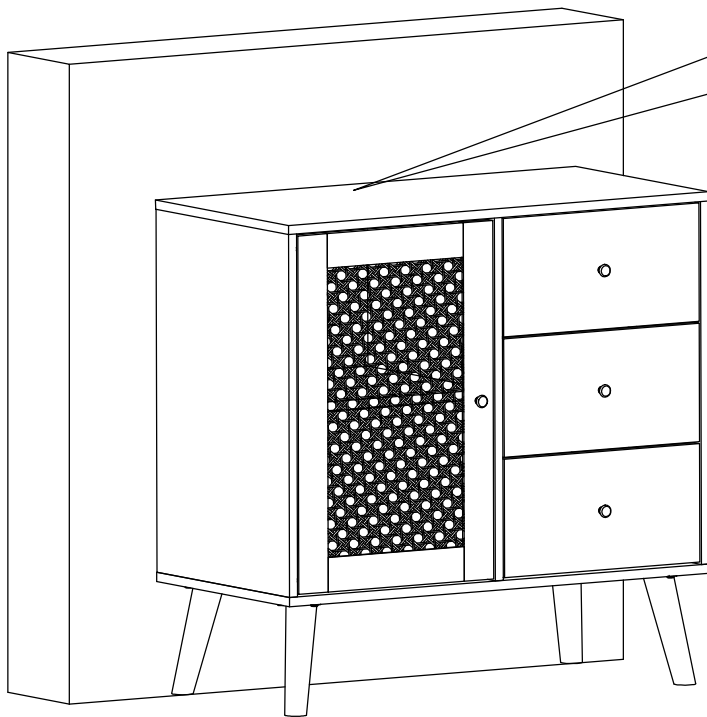



G	x 1
	
4 x 35mm	

O	x 1
	
∅6 x 30mm	

P	x 1
	

21



D	x 1
	
3.5 x 14mm	