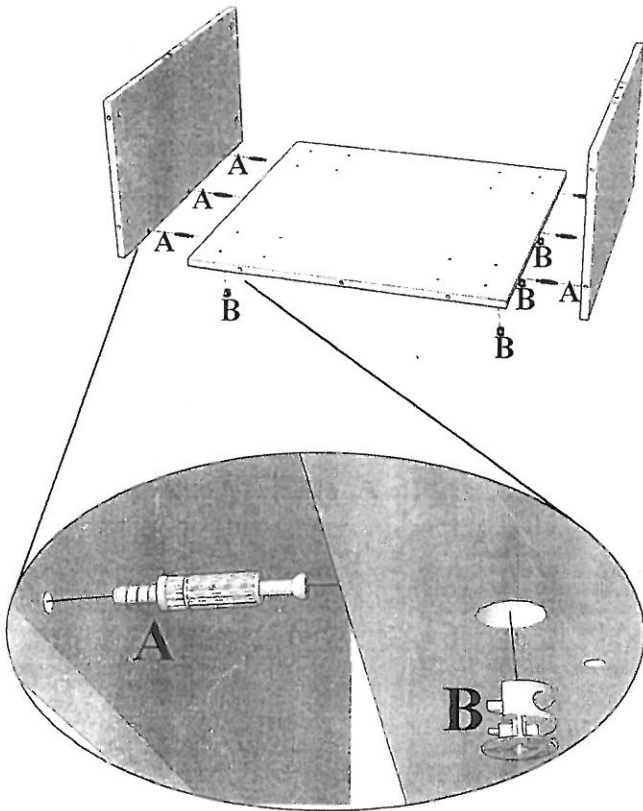
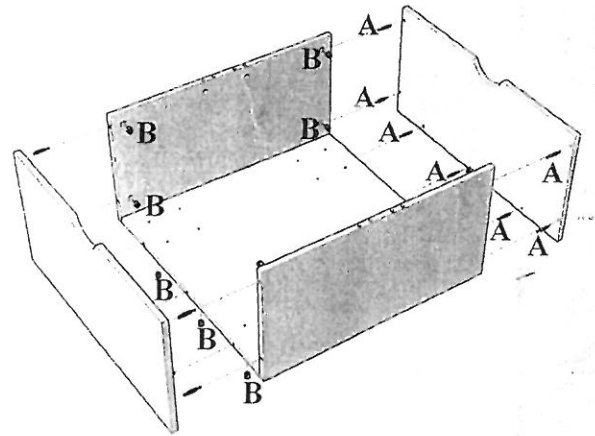


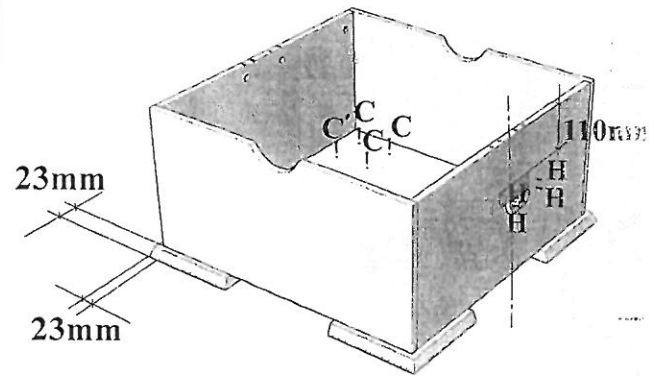
1. $6 \times A + 6 \times B$



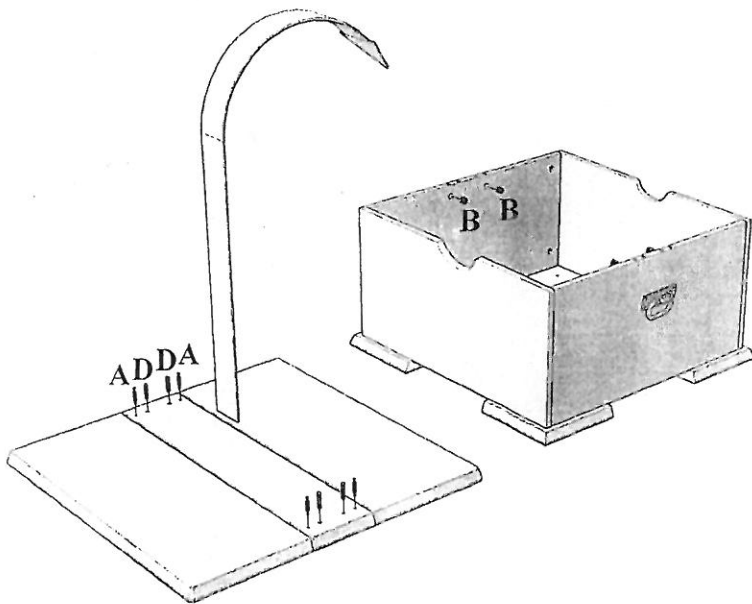
2. $14 \times A + 14 \times B$



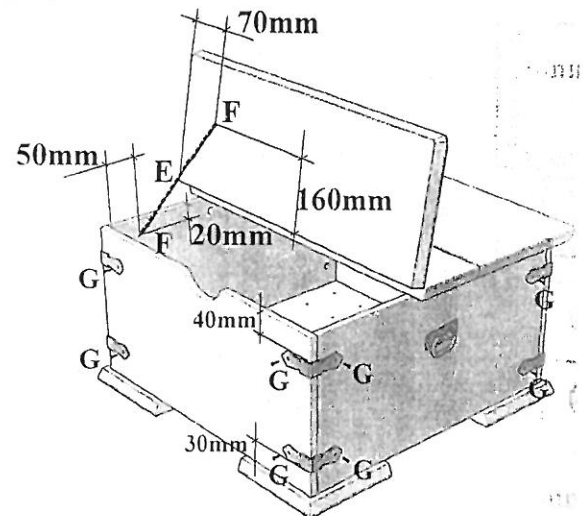
3. $16 \times C + 8 \times H$











4. $4 \times D + 4 \times A + 4 \times B$



5. $2 \times E + 4 \times F + 16 \times G$



- A**  x24
B  x24
C  x16
D  x4
E  x2
F  x4
G  x16
H  x8